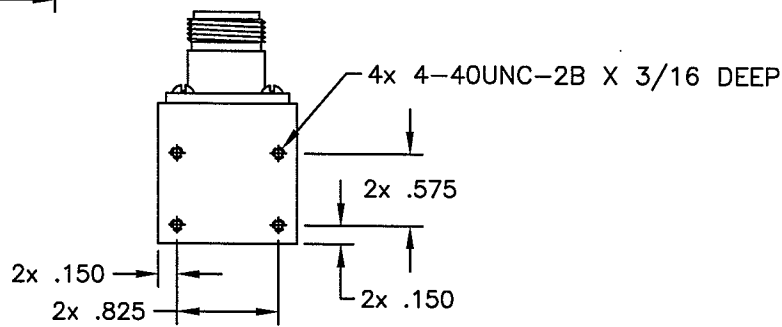
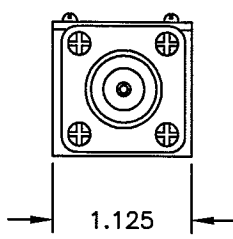
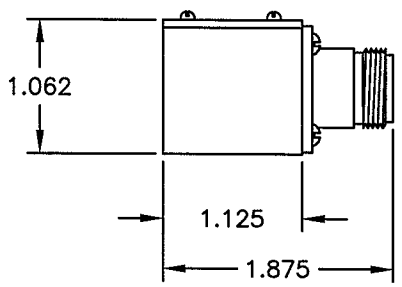
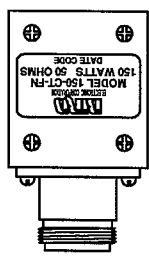


SPECIFICATIONS:

IMPEDANCE: 50 OHMS NOMINAL
 FREQUENCY RANGE: DC TO 2.4GHz
 VSWR: 1.10:1 DC TO 1 GHz
 1.25:1 1 GHz TO 2.4GHz
 POWER RATING: 150 WATTS MAX.
 - WHEN MOUNTED TO A HEAT SINK
 CAPABLE OF MAINTAINING A CASE
 TEMPERATURE OF 100°C OR LESS
 CONNECTOR: N-TYPE FEMALE

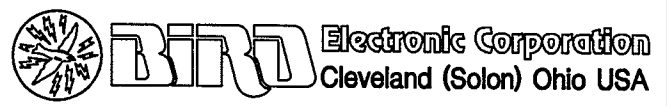
REVISIONS		DWG. NO.	150-CT-FN	SHEET	REV
ZONE	REV	DESCRIPTION	DATE	APPROVED	
	A	CONVERT TO BEC FORMAT	DMR 4-3-03	<i>MARK</i>	



UNLESS OTHERWISE SPECIFIED
 DIMENSIONS ARE IN INCHES
 TOLERANCES ARE:
 FRACTIONS DECIMALS ANGLES
 ± 1/64 .XX = ±.010 ± 30'
 .XXX = ±.005

MILLIMETERS
 .X = ±.4
 .XX = ±.12

THIS DRAWING IS THE PROPERTY OF THE BIRD ELECTRONIC CORPORATION. THE DESIGNS AND SPECIFICATIONS DISCLOSED HEREON ARE PROPRIETARY AND SHALL NOT BE REPRODUCED, NOR COPIED, NOR USED AS THE BASIS FOR THE MANUFACTURE OR SALE OF APPARATUS OR DEVICES WITHOUT THEIR EXPRESS WRITTEN CONSENT.



DO NOT SCALE DRAWING

MATERIAL	APPROVALS	DATE	TITLE		
	DRAWN D.M.RINK	4-3-03	TERMINATION, CONDUCTION COOLED N-TYPE FEMALE, 150W		
FINISH	CHECKED		SIZE	FSCM NO.	DWG. NO.
	APPROVED <i>MARK</i>	6-15-03	A	70998	150-CT-FN
		AUTOCAD	SCALE	COMM CODE	SHEET
			1:1	LD1	1 OF 1